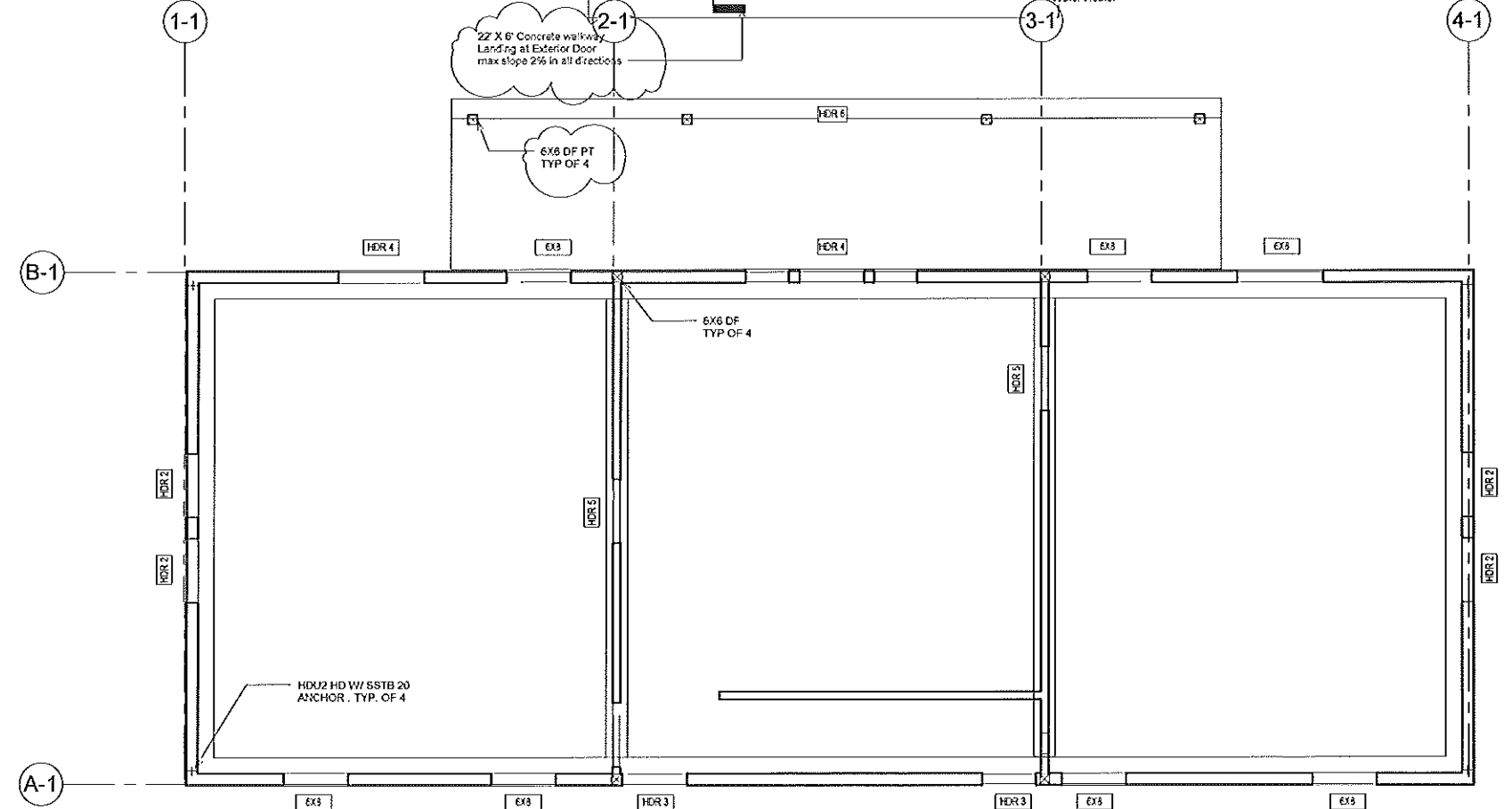


- Wall Legend
3/16" = 1'-0"
- Exterior Wall 2x8 Studs at 16" o.c., FG Batt Insul., 15/32" Plywd Shear, 1 layer 1/2" Felt 2" Gap Horiz. and 5" at vert. joints, Hard Plank Siding, 1/2" Gyp. Bd. 6" Edge Nat'g, 12" Field.
 - Interior Wall 2x4 Studs at 16" o.c., 1/2" Gyp. Bd.

1 First Floor Plan
1/4" = 1'-0"



2 First Floor Framing
1/4" = 1'-0"

Consultant Address Address Phone Fax e-mail
Consultant Address Address Phone Fax e-mail
Consultant Address Address Phone Fax e-mail
Consultant Address Address Phone Fax e-mail
Consultant Address Address Phone Fax e-mail

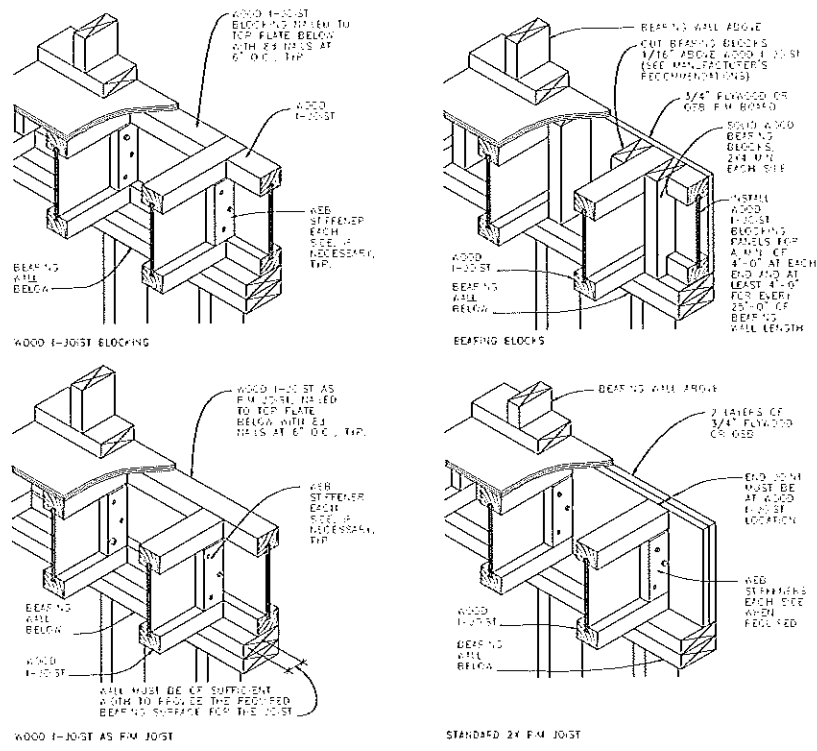
No.	Description	Date
1	Plan Check Comments	2/5/12

**Ambrosini Office Building
First Floor Plan**

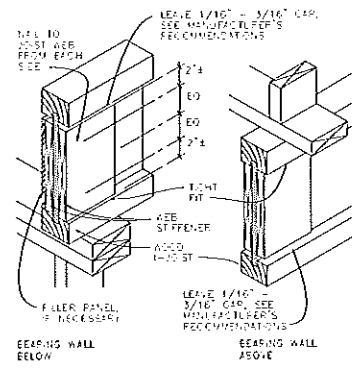
Project number	AMBROSINI
Date	5/30/2016
Drawn by	RKH
Checked by	JMB

A2

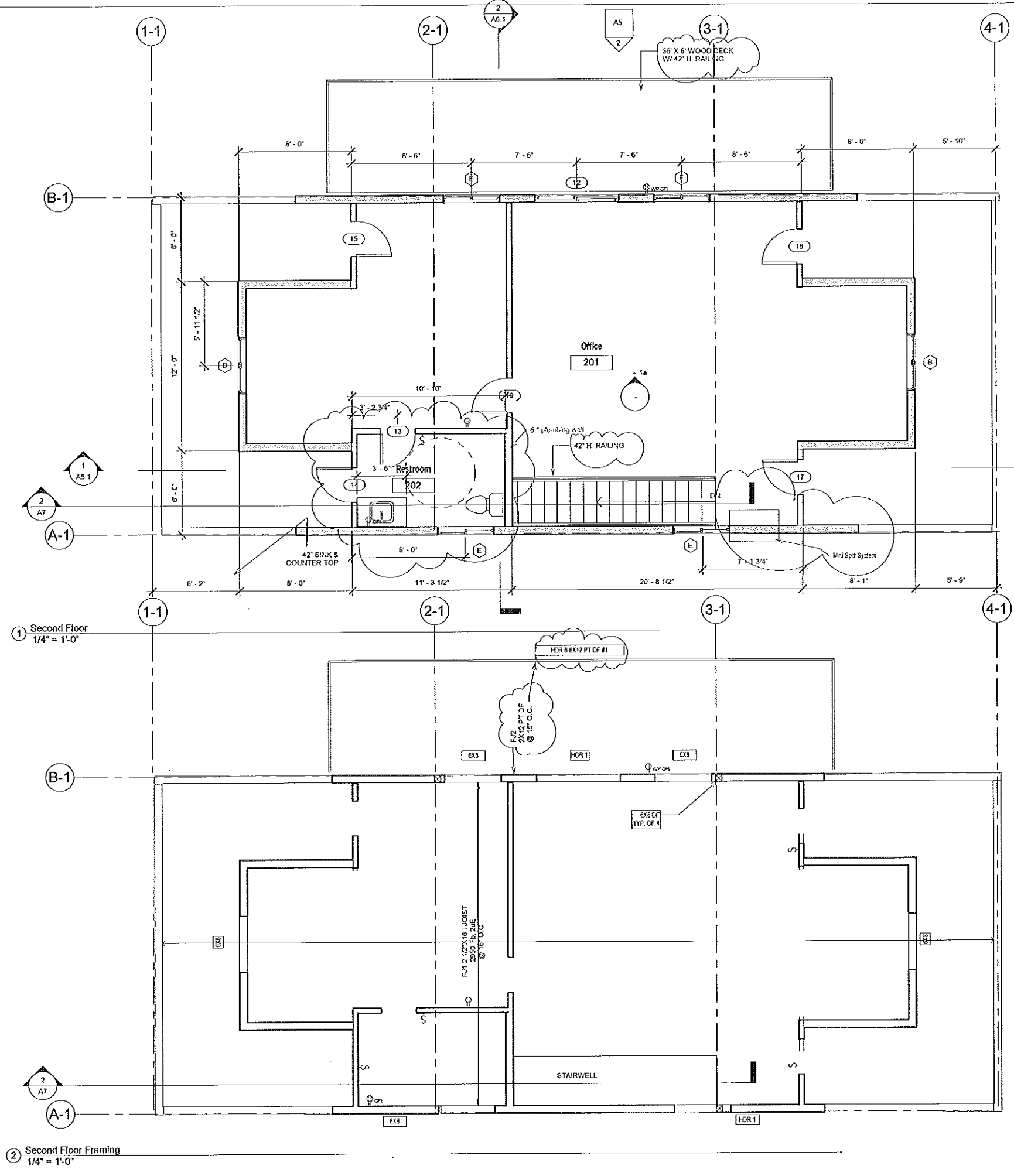
Scale As Indicated



I JOISTS AT BEARING WALL DETAILS



WEB STIFFENER DETAIL



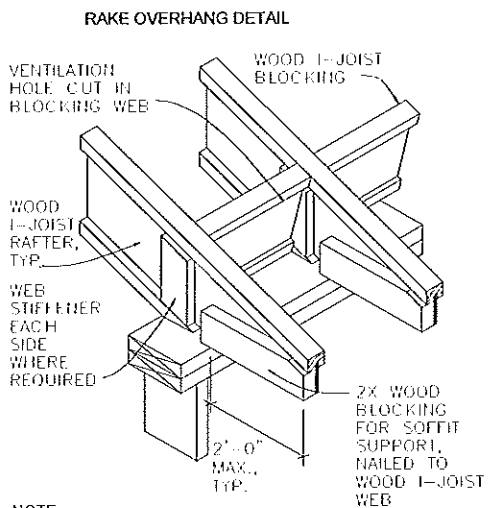
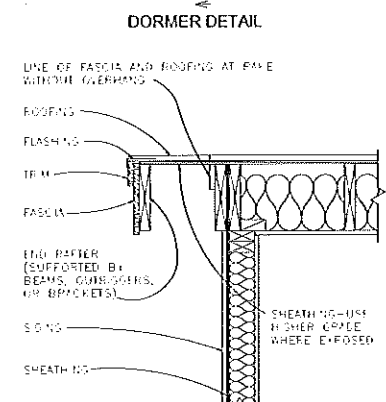
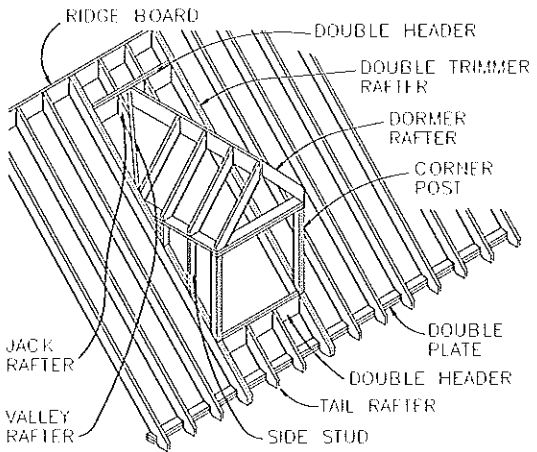
Consultant Address Phone Fax e-mail
Consultant Address Phone Fax e-mail
Consultant Address Phone Fax e-mail
Consultant Address Phone Fax e-mail
Consultant Address Phone Fax e-mail

No.	Description	Date
1	Plan Check Comments	2/6/12

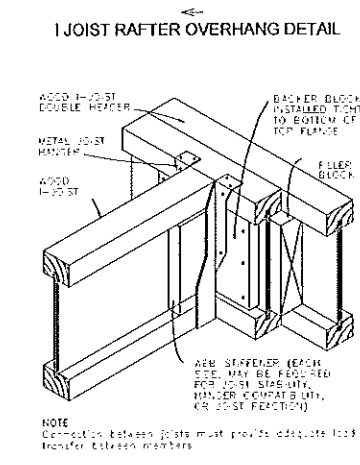
Ambrosini
Office Building
Second Floor Plan

Project number	AMBROSINI
Date	5/30/2016
Drawn by	RKH
Checked by	JMB

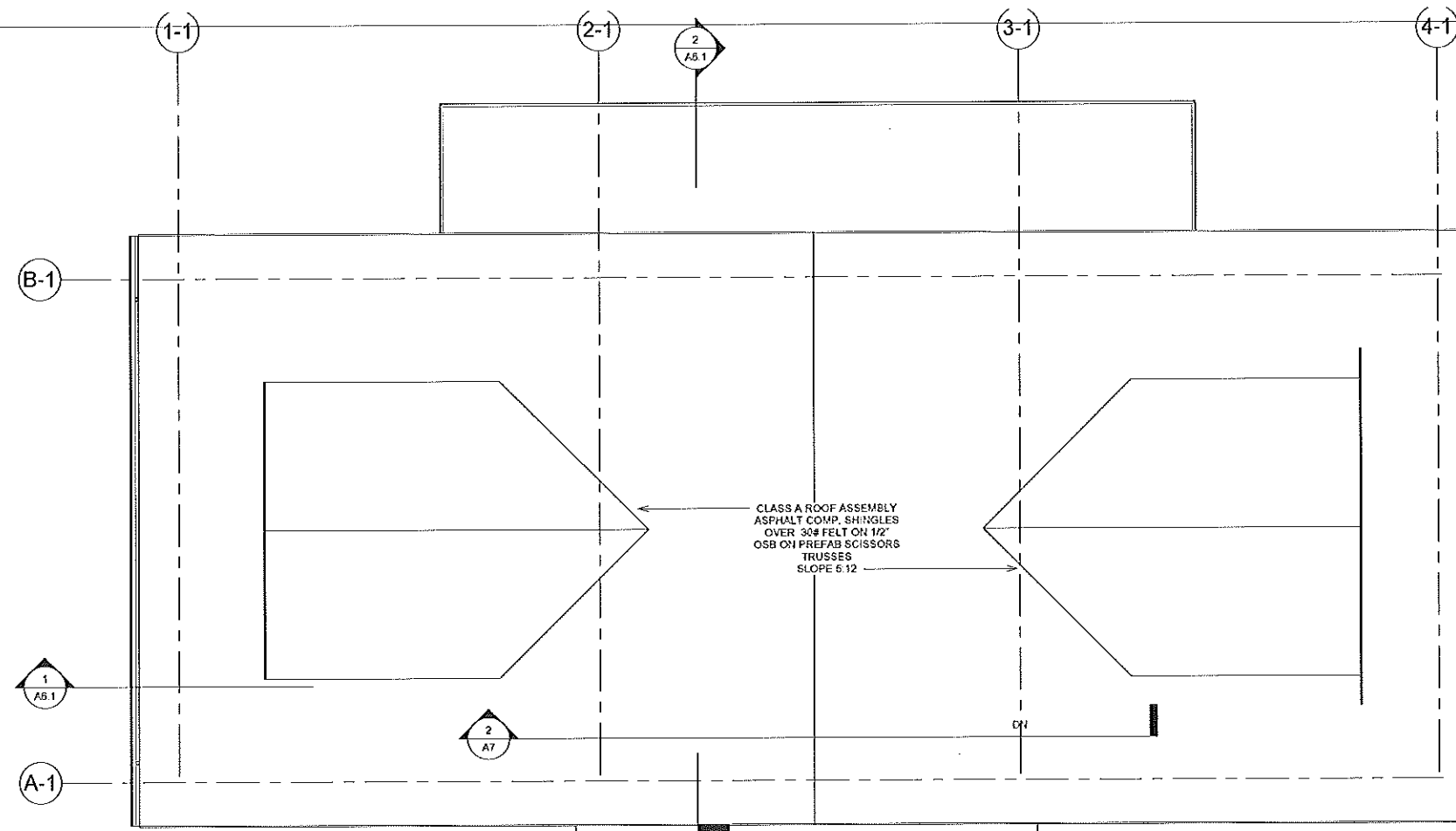
A3
Scale 1/4" = 1'-0"



NOTE: Uplift connections HD2 @ Ea Rafter



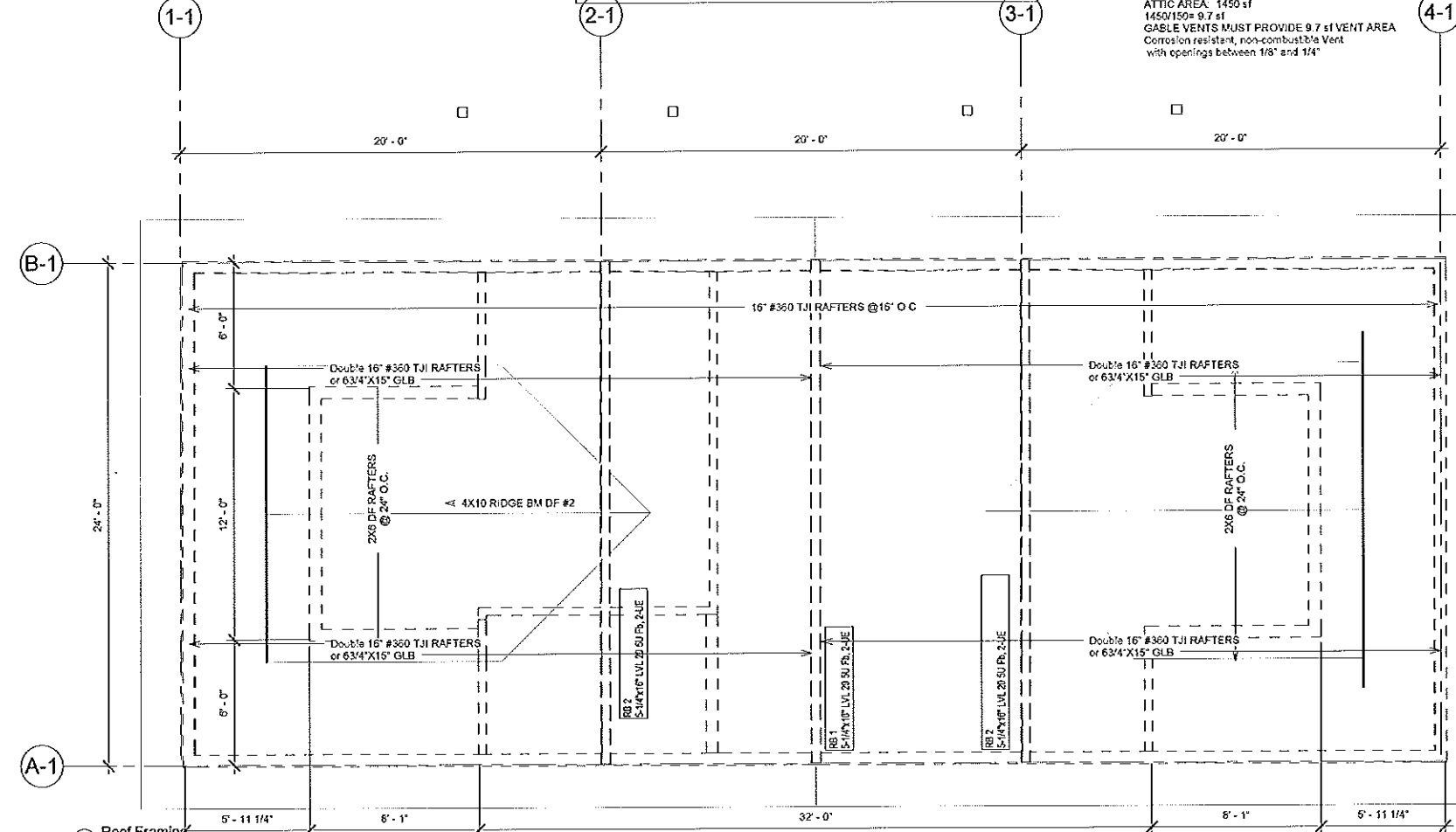
IJOIST TO IJOIST HEADER DETAIL



2 Roof Plan 1/4" = 1'-0"

ATTIC VENT REQUIREMENTS

ATTIC AREA: 1450 sf
 1450/150 = 9.7 sf
 GABLE VENTS MUST PROVIDE 9.7 sf VENT AREA
 Corrosion resistant, non-combustible Vent
 with openings between 1/8" and 1/4"



1 Roof Framing 1/4" = 1'-0"

Consultant Address Phone Fax e-mail
 Consultant Address Phone Fax e-mail
 Consultant Address Phone Fax e-mail
 Consultant Address Phone Fax e-mail
 Consultant Address Phone Fax e-mail

No.	Description	Date

**Ambrosini
Office Building
Roof Framing Plan**

Project number **AMBROSINI**
 Date **5/30/2016**
 Drawn by **RKH**
 Checked by **JMB**

A4

Scale **1/4" = 1'-0"**

© 2016 Ambrosini & Associates, Inc.

Creekside Arts and Education Center Proposition 39 Solar Array Installation

Notes:

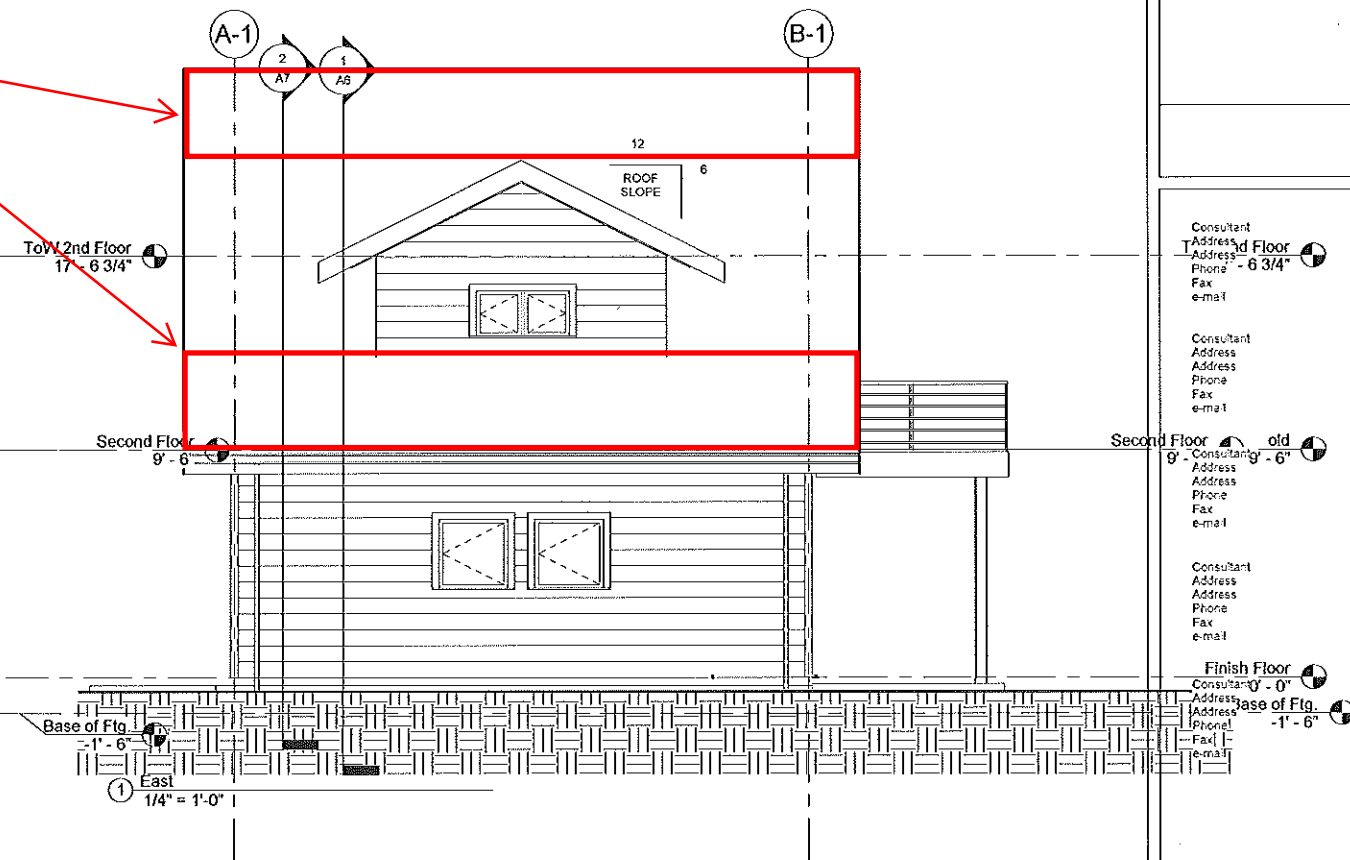
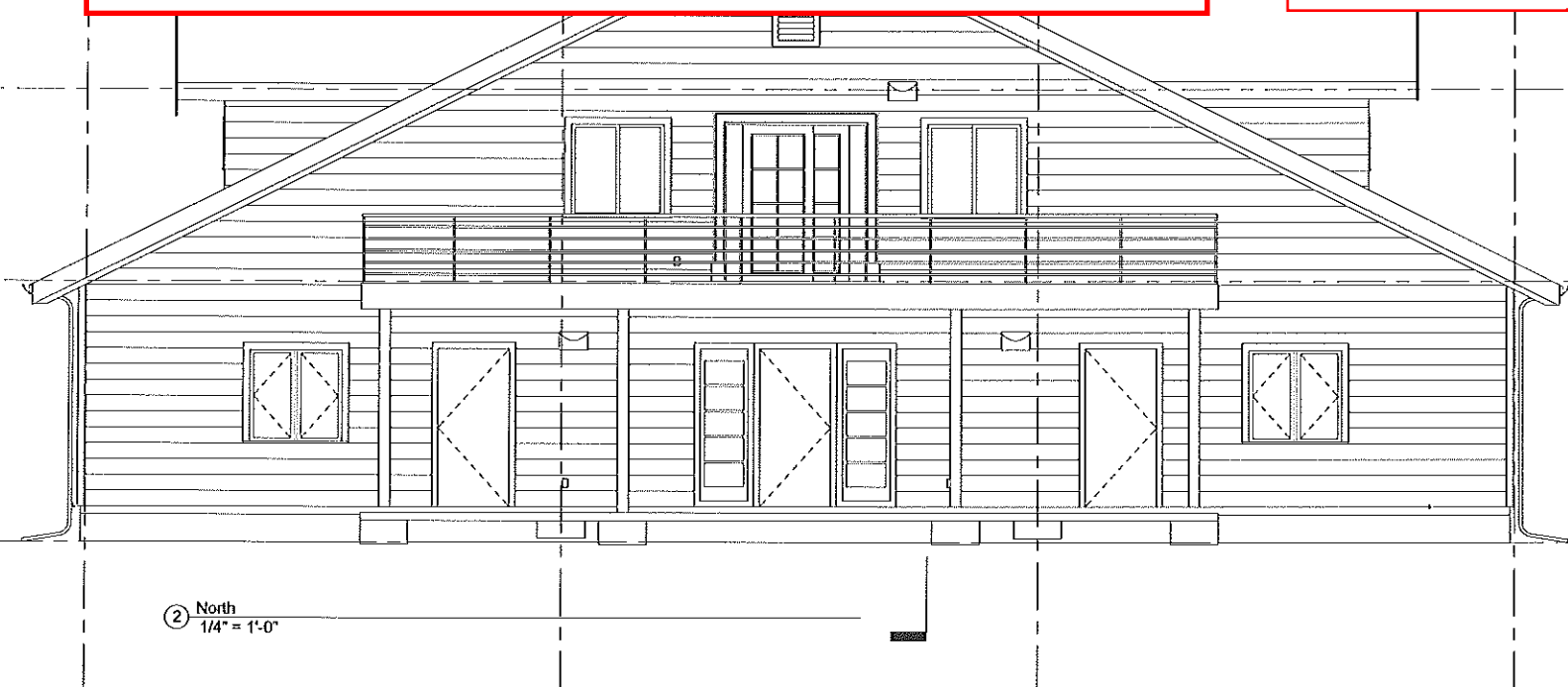
- 1. PV array should be sized and located to ensure a first-year system production of 4,600 kWh.
- 2. Final location to be determined with school administration.

Potential Solar Array Locations

1-1

A-1

B-1

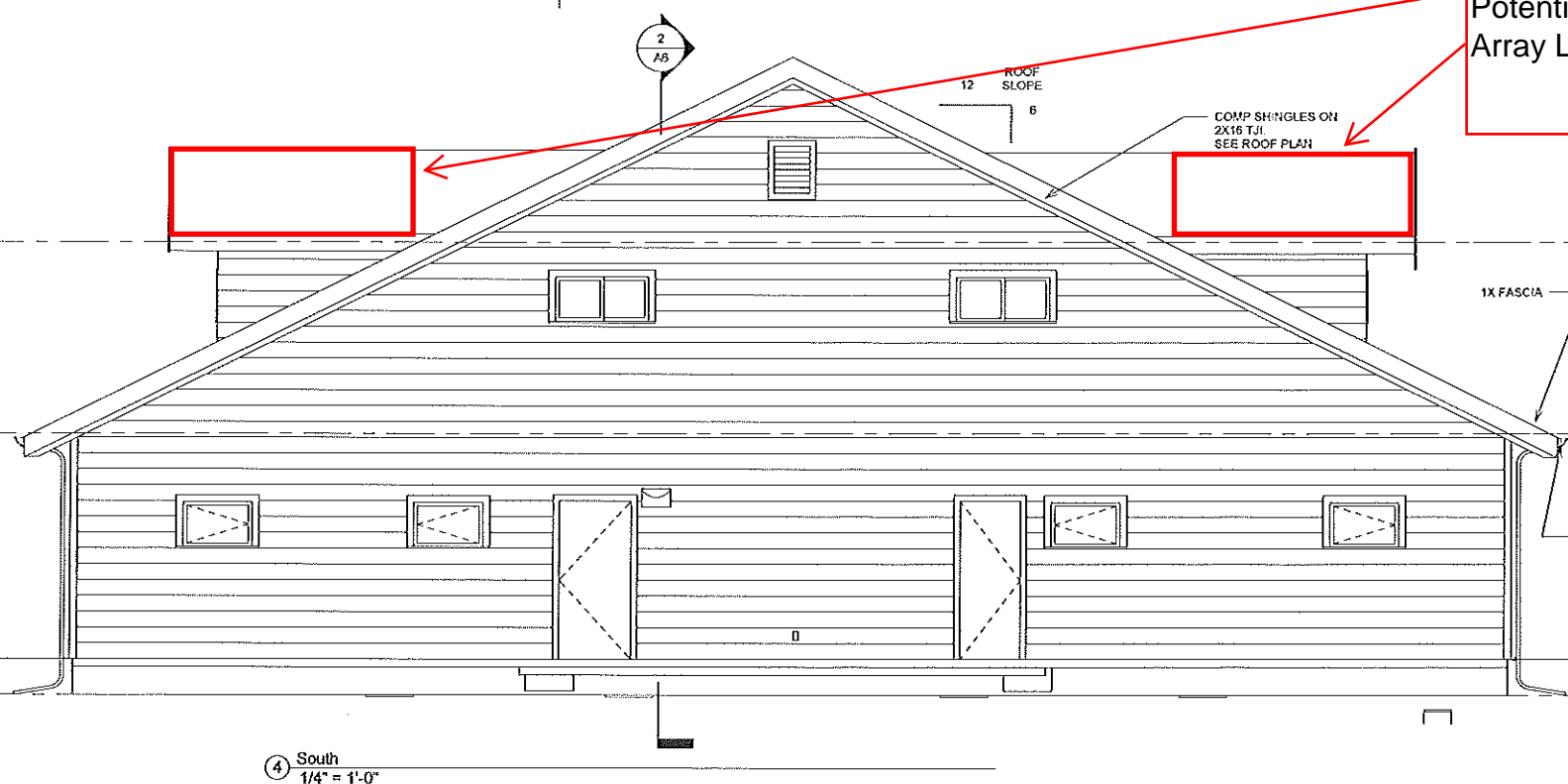
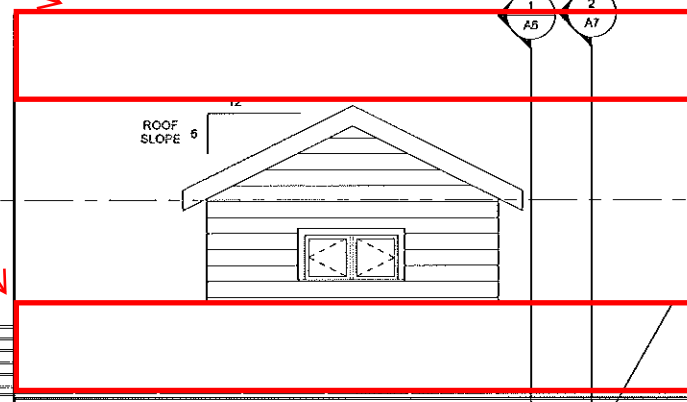


Potential Solar Array Locations.

2
A5

12
ROOF SLOPE
6

COMP SHINGLES ON 2X16 TJI SEE ROOF PLAN



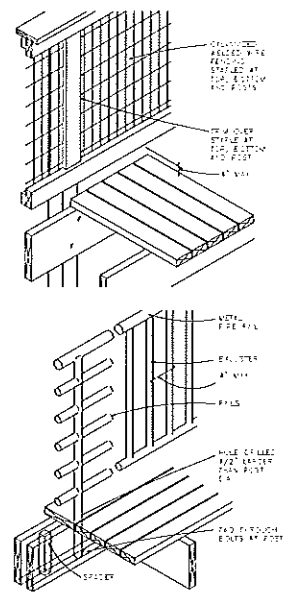
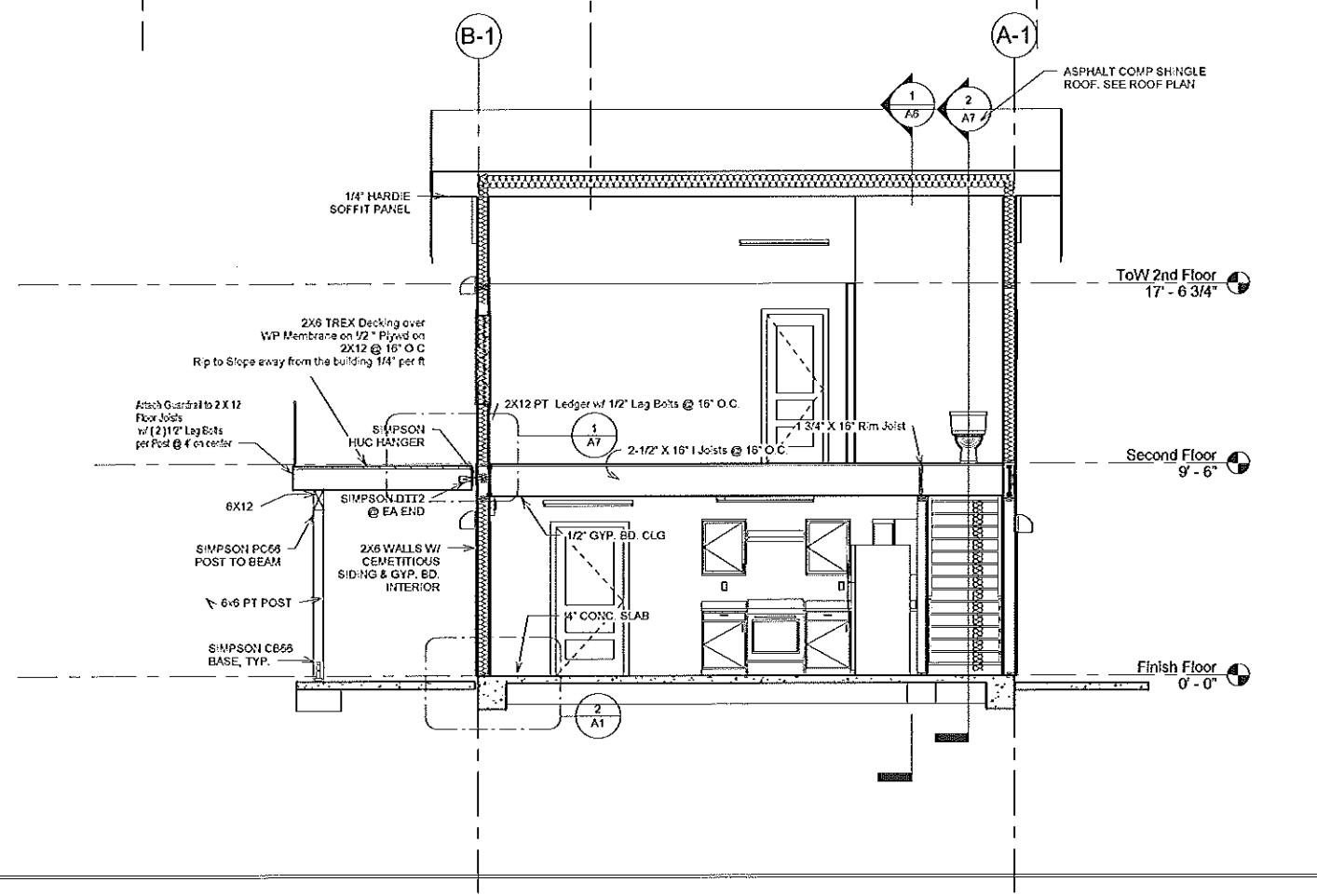
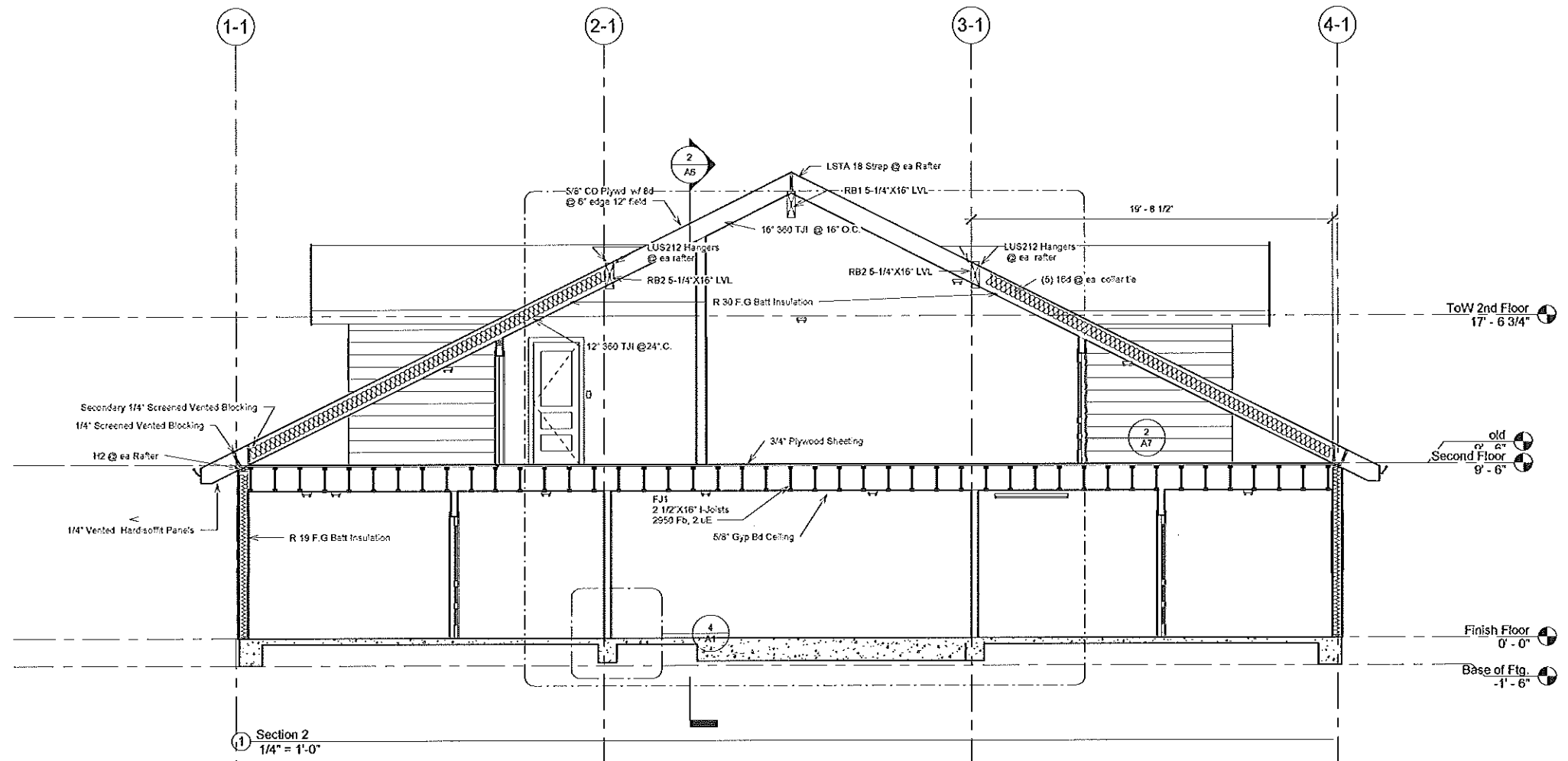
No.	Description	Date

Ambrosini Office Building
Elevations

Project number **AMBROSINI**
Date **5/30/2016**
Draw by **RKH**
Checked by **JMB**

A5

Scale **1/4" = 1'-0"**



DECK RAILING DETAILS

Consultant
Address
Phone
Fax
e-mail

Consultant
Address
Phone
Fax
e-mail

Consultant
Address
Phone
Fax
e-mail

Consultant
Address
Phone
Fax
e-mail

Consultant
Address
Phone
Fax
e-mail

No.	Description	Date

Ambrosini
Office Building
Building Section

Project number AMBROSINI
Date 5/30/2016
Drawn by RKH
Checked by JMB

A6

Scale 1/4" = 1'-0"

Section 1
1/4" = 1'-0"