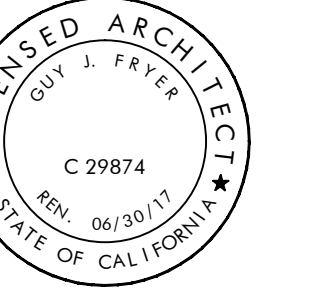


siskiyoudesigngroup
 Guy Fryer, Architect A.I.A.
 303 BRUCE STREET
 YREKA, CALIFORNIA 96097
 TELEPHONE (530) 842-1683
 FAX (530) 842-1908



ARCHITECT'S STAMP

CONSULTANTS STAMP

ADMINISTRATION BUILDING
 FURNACE PROJECT
 HUMBOLDT COUNTY OFFICE OF EDUCATION
 901 MYRTLE AVE.
 EUREKA CALIFORNIA, 95501

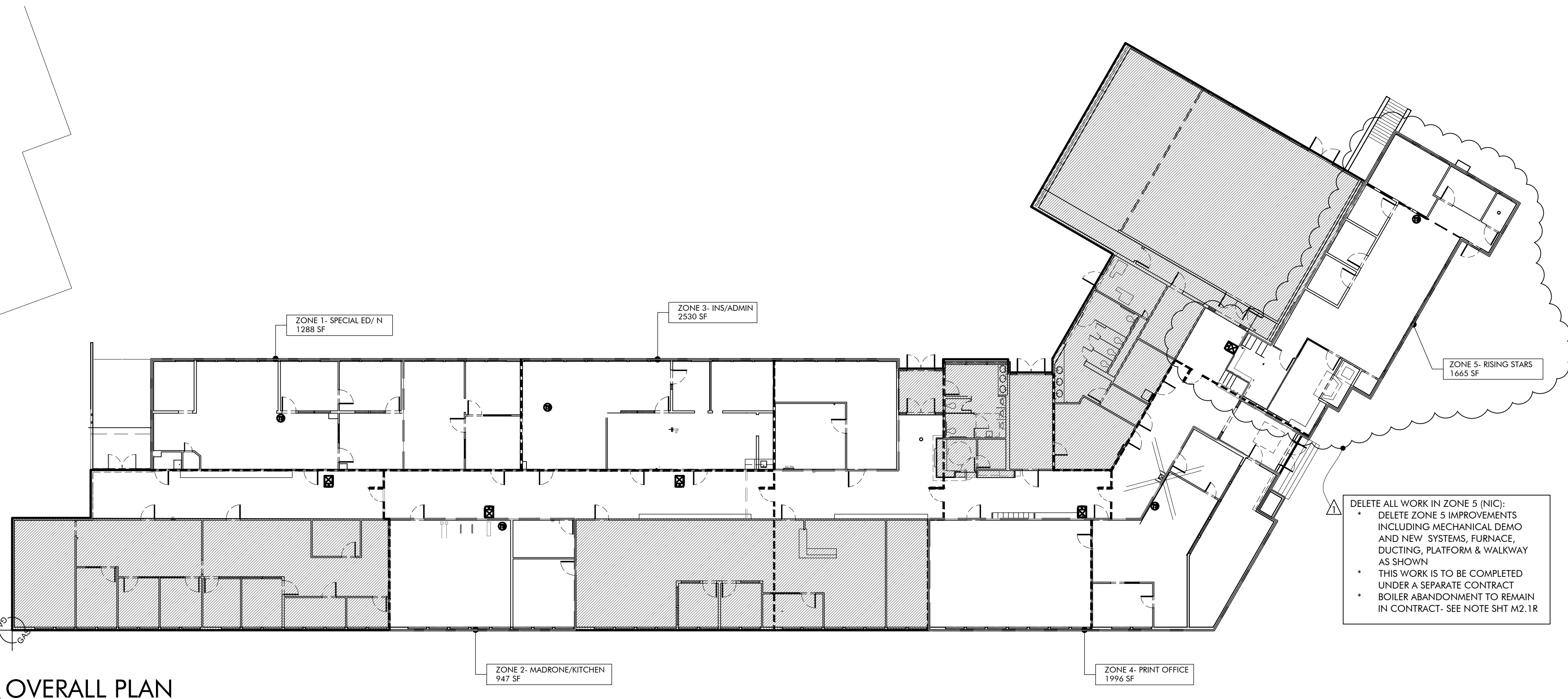
AUTHORITY APPROVAL
 MEZZANINE &
 CEILING PLAN

DATE	ISSUE	REV.
ADD # 1		8/30/17
ADD # 2		10/15/17

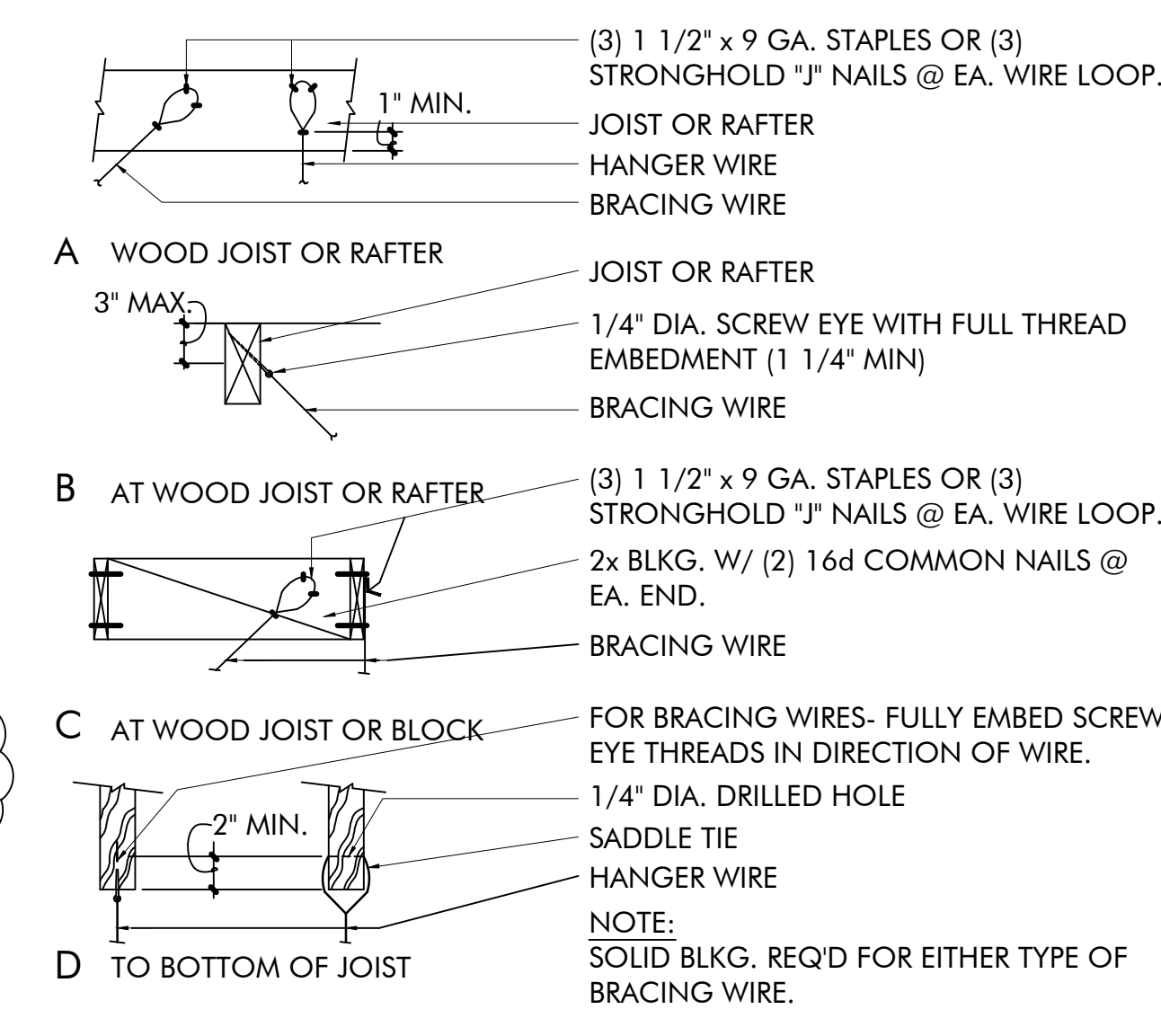
DRAWN BY: SDC CHECKED BY: GJF

A2.01 R

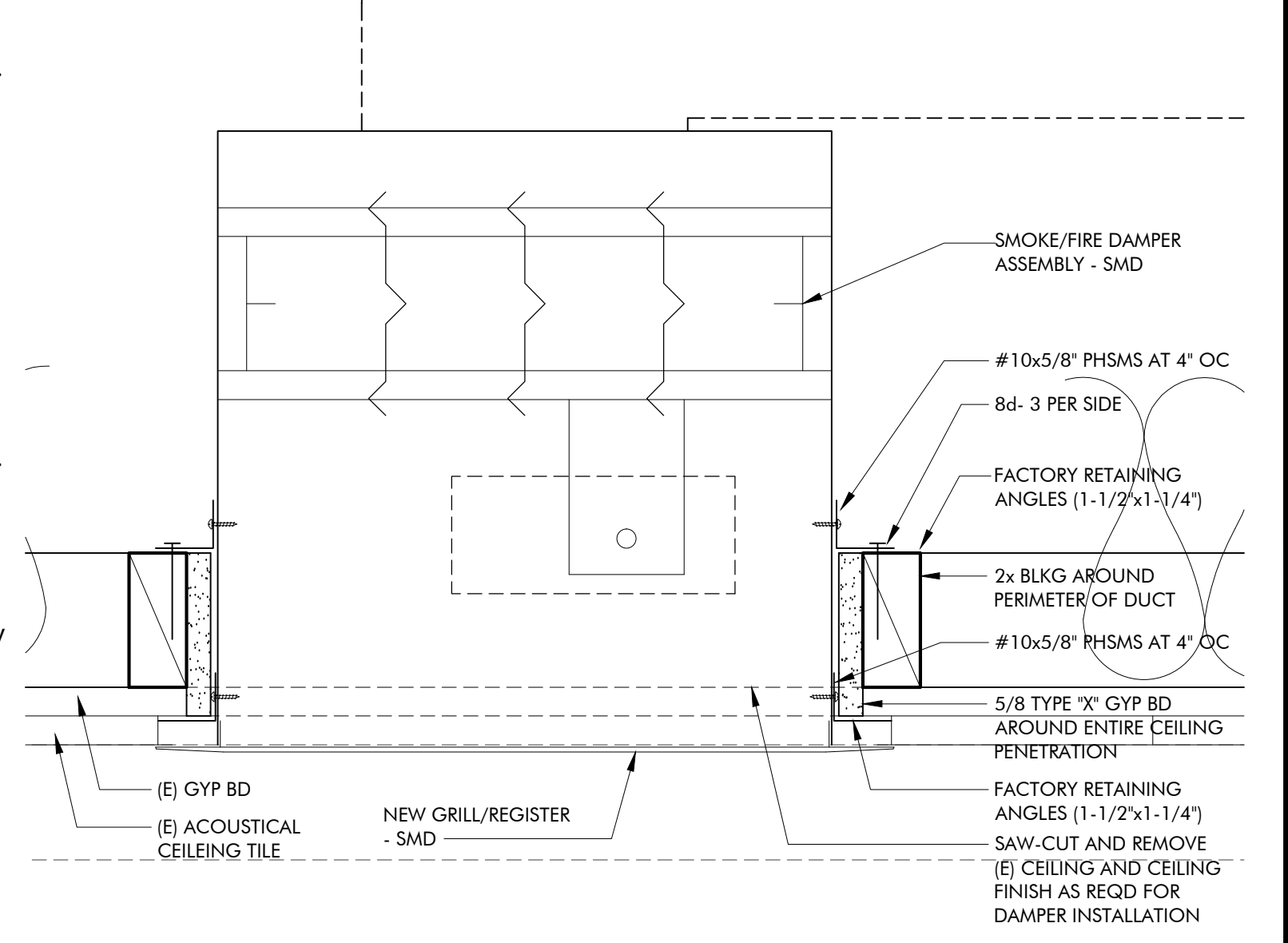
JOB NO. 1 OF SHEETS



1 OVERALL PLAN
 1/16"=1'-0"

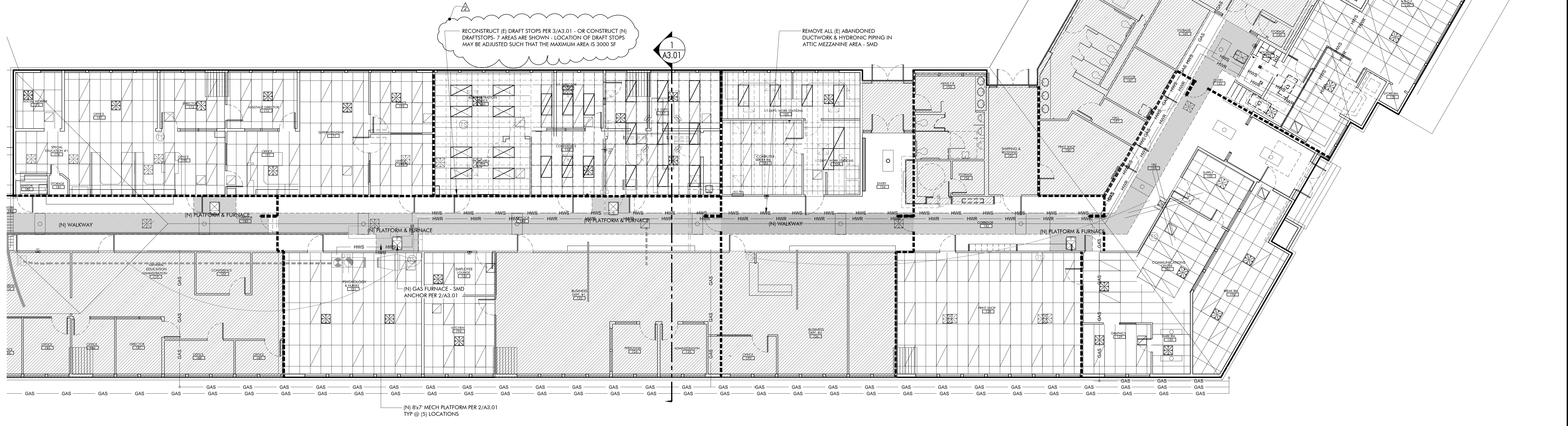
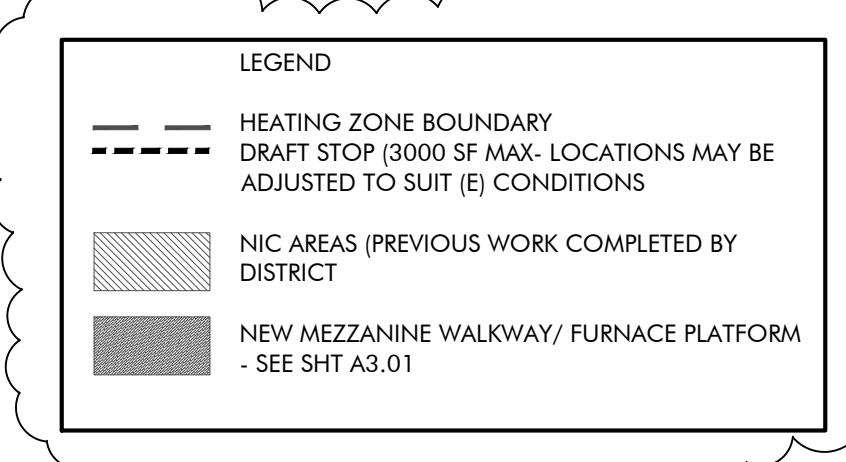


4 CEILING HANGER & BRACING
 1"=1'-0"



3 CEILING REGISTER WITH DAMPER @ CORRIDOR
 NTS

DELETE ALL WORK IN ZONE 5 (NIC):
 DELETE ZONE 5 IMPROVEMENTS
 INCLUDING MECHANICAL DEMO
 AND NEW SYSTEMS, FURNACE,
 DUCTING, PLATFORM & WALKWAY
 AS SHOWN
 THIS WORK IS TO BE COMPLETED
 UNDER A SEPARATE CONTRACT
 BOILER ABANDONMENT TO REMAIN
 IN CONTRACT- SEE NOTE SHT M2.1R



2 MEZZANINE & CEILING PLAN
 1/8"=1'-0"

JOB NO. 1 OF SHEETS